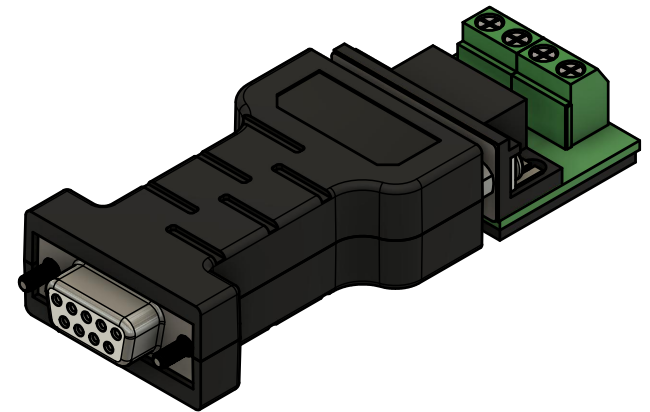
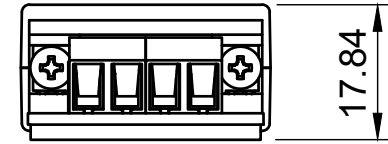
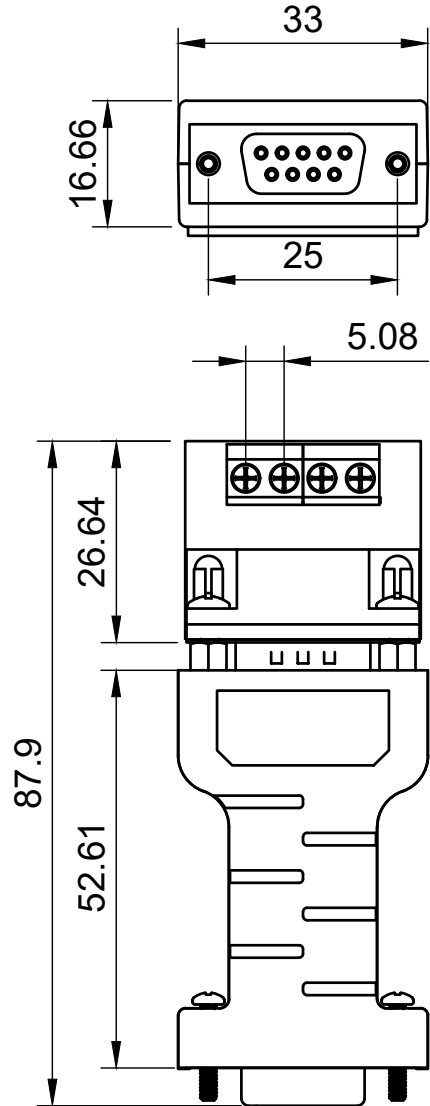



Basic Measurements
Port Detailed



	Model #: GM-10017-B	
	Drawn by: Leo Pinto	Scale: 1:1
Drawn Date: 8/25/2021	Tolerance: +/- 0.15mm	
Notes:	Contact: support@gearmo.com	
	Web: gearmo.com	
	A4	1/1