

gearmo®

User Manual

**16-Port USB-C 3.2 Gen 2 Industrial Surface,
Rack, & DIN-Rail Mount Hub w/ ESD Surge Protection**
Model No. GM-HU316C-RM

gearmo.com

Contents

- Introduction	1
- System Requirements	1
- Package Contents	1
- Hub Layout	2
- Installation	2
- DIN Rail Mounting	3
- Surface / Wall Mounting	4
- Rack Mounting	4
- Specifications	5

Introduction

▶ Thank you for purchasing Gearmo's **16-Port USB-C 3.2 Gen 2 Industrial Surface, Rack, & DIN-Rail Mount Hub w/ ESD Surge Protection!** Please read the manual in detail first before you begin using this hub. The specifications are subject to change without notice.

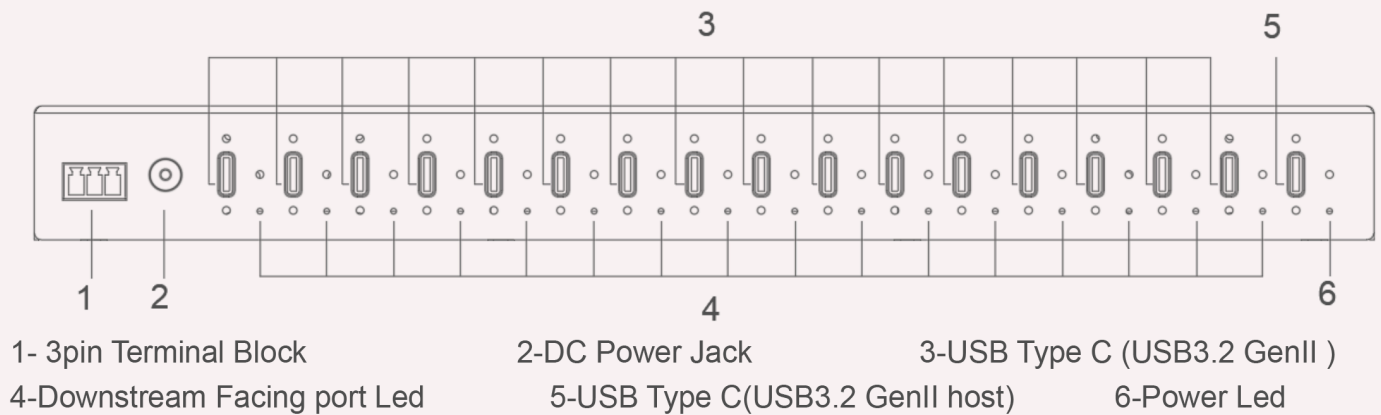
System Requirements

- ▶ **Desktop** or **Notebook Computer** with an Available USB Type-A or USB Type-C Port
- ▶ **Windows 11** (64-bit), **10** (32/64-bit), **8** (32/64-bit), **7** (32/64-bit)
- ▶ **Mac OSX** Lowest or Latest Versions

Package Contents

- ▶ Industrial 16-Port USB-C 3.2 Gen 2 Industrial Hub
- ▶ User Manual
- ▶ 24V/5A Power Adapter & Cord with DC Barrel Connector
- ▶ USB Type-C to Type-C Cable
- ▶ DIN-Rail Clip, Wall, and Rack Mounting Brackets
- ▶ 3-Pin Terminal Block
- ▶ Screw Package

Hub Layout



Installation

1. Power

- The USB 3.2 Gen 1 Hub requires a **12~24V DC** external power source to work.
- Power up the USB Hub through either the **Included DC Power Jack Adapter** or **3-Pin Terminal Block**.

2. 3-Pin Terminal Block

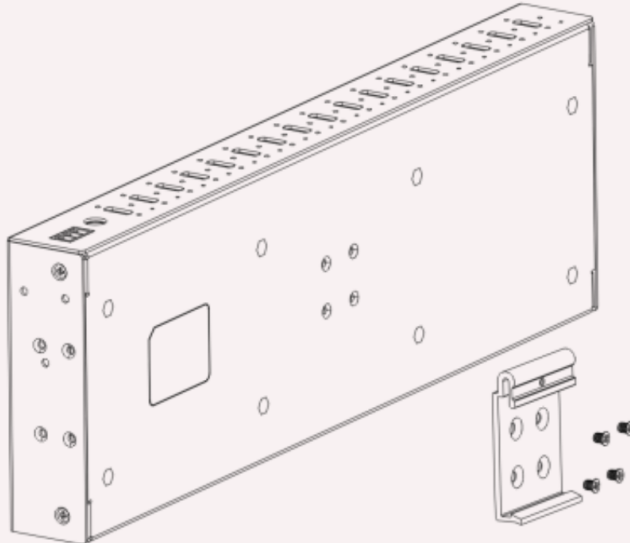
- Plug the included terminal block to the hub's terminal block connector.

3. Hardware

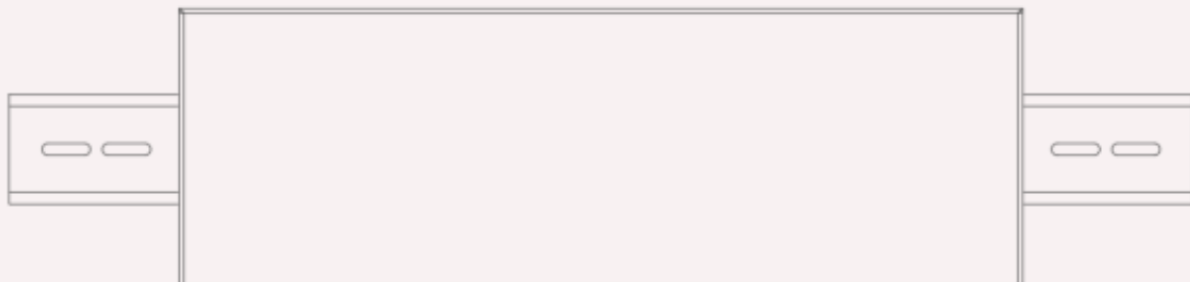
- Mount your hub on the **Wall, Surface, Din Rail, or Rack** if needed.

DIN Rail Mounting

- ▶ Use the included screws to install the DIN Rail Clip to the hub.

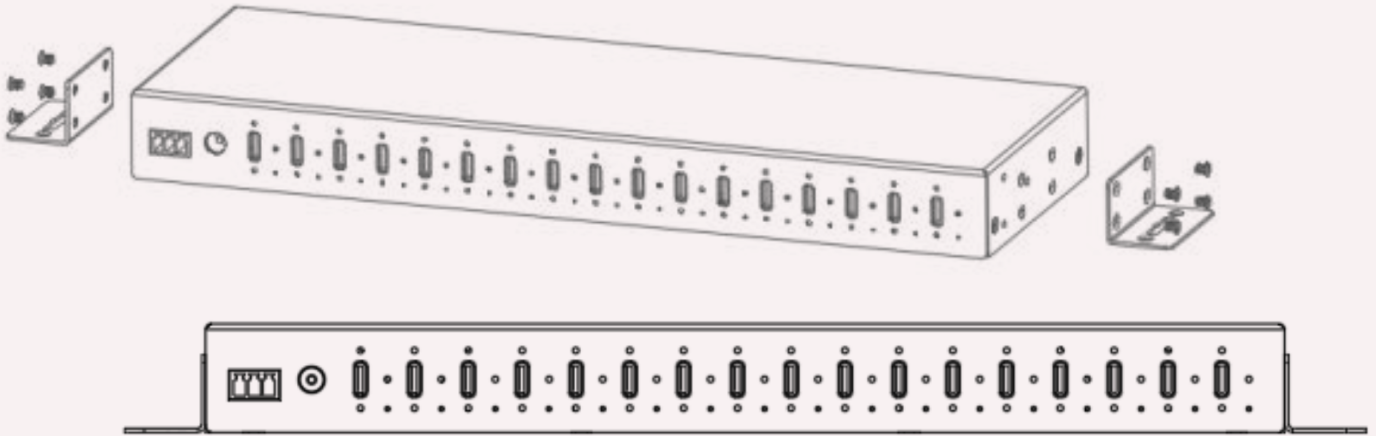


- ▶ Insert the top of the DIN Rail Clip onto the DIN Rail Track, then gently push the bottom of the hub to secure it to the DIN Rail Track.



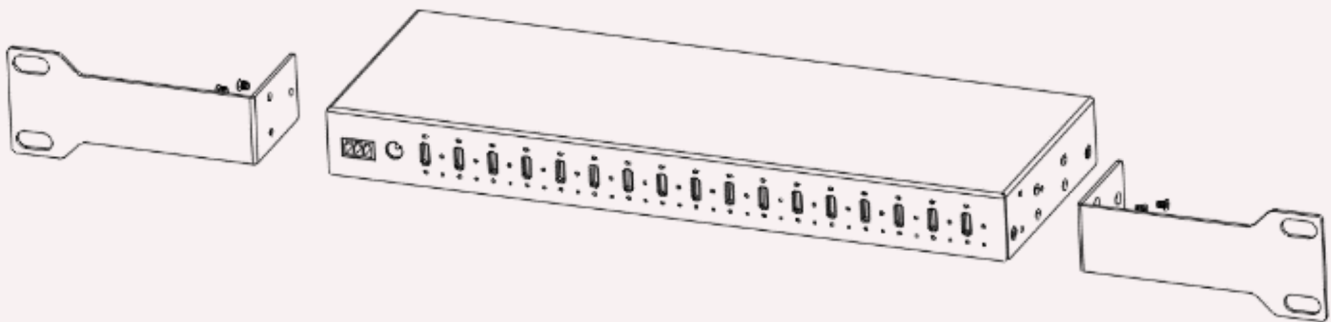
Surface / Wall Mounting

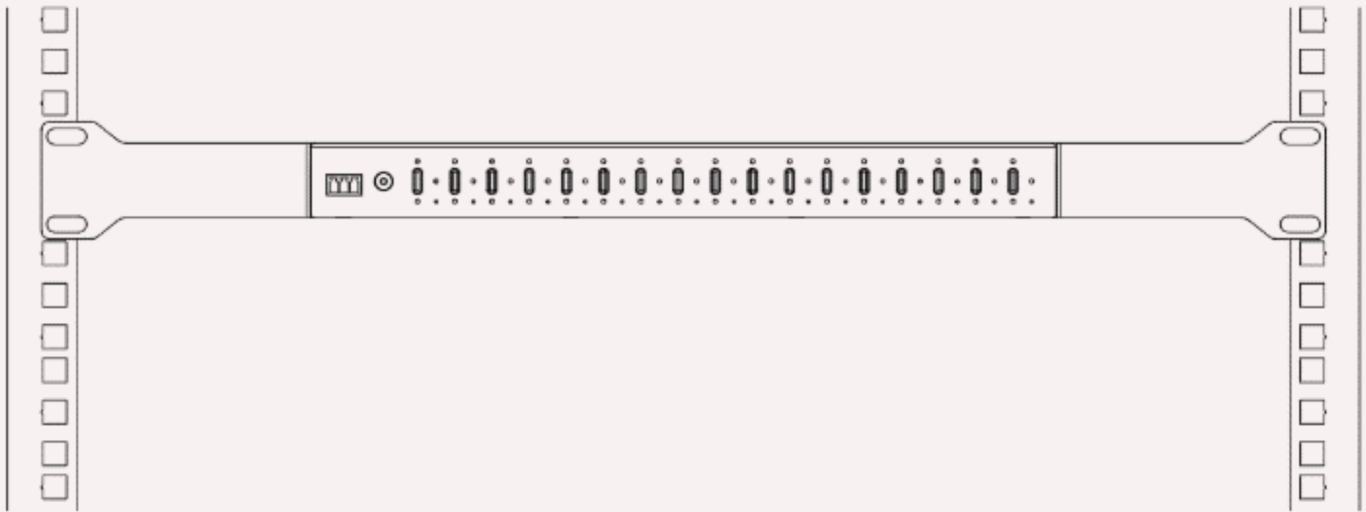
▶ Use the included screws to affix the surface mounting flanges to the hub. Use surface mounting screws attach hub to the wall or smooth surface (*surface mounting screws not included*).



Rack Mounting

▶ Use the included screws to affix the rack mounting flanges to the hub. Use Rack Mounting Screws (*not included*) to mount your hub within the designated rack.





Specifications

- ▶ Adds 16 3.2 Gen 2 compliant USB Type-C ports supporting up to 10Gbps data transfer rate
- ▶ Rugged metal chassis with wall, surface, rack, & DIN Rail mount support
- ▶ 12~24V DC power input with an included DC Barrel power supply
- ▶ LED indicators for each port to show connection confirmation
- ▶ Screw-Lock compatible downstream and upstream ports
- ▶ Upstream USB Type-C port
- ▶ 15kV ESD protection for all USB ports